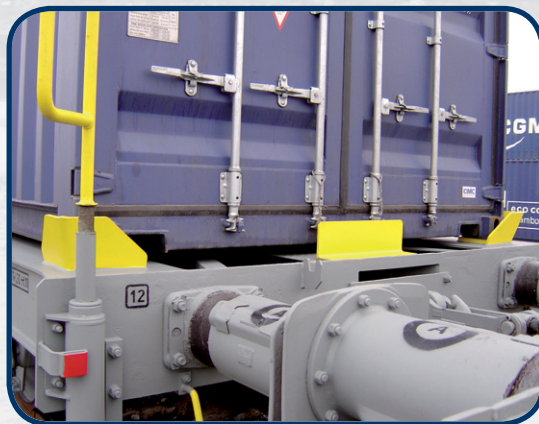


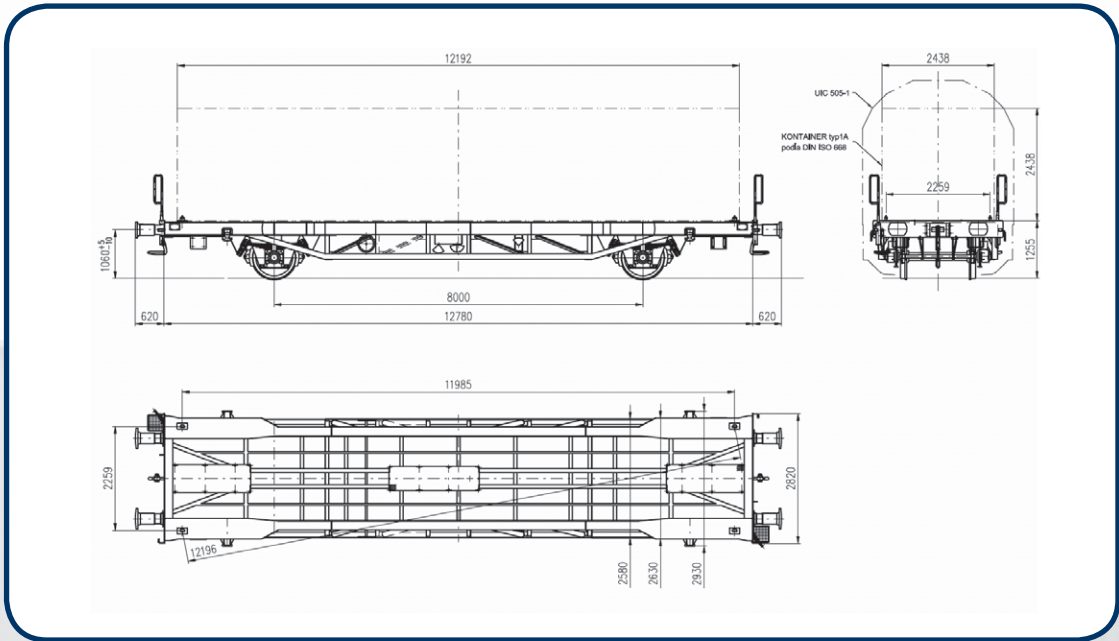
LgS



Use:

Wagon is suitable to carry 40 feet containers. Wagon is fitted with four stable tightening elements and with guidance elements for accelerated loading of containers, its loading length and capacity is effectively used. Wagon meets all requirements for domestic and international transport.





Wagon technical parameters

Wagon series		Lgs
Digit interval		4425, 4426
Construction group		12
Interoperability		21
Number of axles		2
Wagon length over the buffers		14,020 m
Wagon tare		10,800 t
Loading capacity	A	21,20 t
	B	25,20 t
	C	29,20 t
Loading length		12,780 m
Loading width		2,820 m
Distance between floor and USR		1,255 m
Axle base / pivot pins distance		8,000 m
Note: extra equipment – four stable tightening elements for transportation o containers		40' feet ISO containers, wagon without floor (grid)